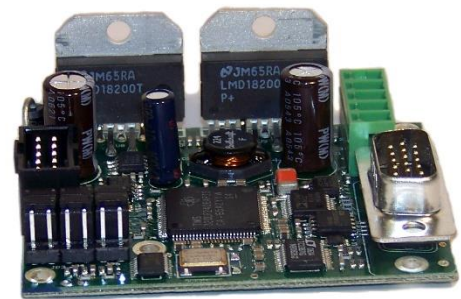


SilverDust M-Grade (MG)

The SilverDust™ MG is a servo controller/driver for NEMA 17 & 23 frame microstep motors also known as a closed loop stepper motors or Hybrid Servo Motors. The SilverDust MG-C adds a CAN port which supports CANopen® protocols. (See Below.)



QCI-D2-MG



QCI-D2-MG-01

System Overview

Point-to-Point Moves

Relative or Absolute

Velocity or Time Based

S-Curve

Advanced Motion Profile Moves

Profile Move Commands

Register Based

Position/Accel/Decel/Vel

Modify On-the-Fly

Multi-Axis Linear Interpolation

XYZ Coords Contained in Text File

CANopen® used for local bus

- 1000+ Points Stored in NV Memory

Input/Output

- 7 TTL Digital I/O
 - Use for QCI-BO-B52 24V I/O
- 4 Analog Inputs (Joystick)
- Analog Output Option
- Programmable Limit Switch (PLS)
- Secondary Encoder In

Program and Data Storage

- 32K Non-Volatile Memory:
- 2000-3000 Program Lines
- User Data Examples
 - CAM Tables
 - Motion Profiles
 - Lookup Tables

Electronic Slip Clutch/Brake

- Variable Torque
- Wind/Unwind Applications

Anti-Hunt™

- Optionally use Open Loop While Holding
- No Servo Dither While At Rest

Advance PVIA™ Servo Loop

- 100:1 Inertial Mismatch
- Direct Drive Oversized Inertial Loads
 - Flywheels/Belt Drives
 - Typically Without Gearheads
- More Stable Than PID
-

Electronic Gearing/Camming

- Follow Encoder (A/B Quadrature) or Step and Direction
- Dynamic Gear Ratios
 - Integer Ratios
32767:1 to 1:32767
 - Decimal Ratios to 7 Places
- Electronic Cam
 - Import Tables from Text File
 - Over 2500 Points
 - Multiple Tables

Communications

- RS-485/RS-232 @ 230K Baud
- ASCII, Binary, Modbus®, DMX512
- CANopen® Option
- Host Control While Servo in Motion

Programming Language

- Easy, Menu Driven Interface

Electrical Specifications

Input Power

Voltage

+12 VDC to +48 VDC, regulated. Device must be initialized for the actual operating voltage.

Over-Voltage Protection

Not available. Voltages exceeding +55 VDC will permanently damage the controller/driver electronics. Supply inputs may require active voltage clamping for aggressive braking/deceleration motions or applications with high inertial loads. See the Voltage Clamp Module technical document, (QCI-TD017), for more information on the voltage clamp.

Reverse Polarity Protection

Not available. Connecting supply voltage in reverse can damage the controller and the driver circuitry. However, limiting the supply current externally, to 5 Amps or less, will greatly minimize the chance of hardware failure.

Input Current

4 Amps maximum for any input voltage, +12 VDC to +48 VDC.

- Command Parameter Prompts
 - No Syntax Errors
 - User Namable I/O and Registers
- Digital 4 Quadrant Vector Drive
- DSP Driven for Reduced Noise
- Multi-Task/Multi-Thread
- Compatible with QCI Motor/Encoders
- NEMA 11 Frame
 - 4000 Counts/Rev Encoder
 - Up To 9 oz-in (continuous)
 - NEMA 17 Frame
 - 8000 Counts/Rev Encoder
 - Up To 43 oz-in (continuous)
 - IP50 or IP65
 - NEMA 23 Frame
 - 8000 Counts/Rev Encoder
 - Up To 300 oz-in (continuous)
 - IP50 or IP65

Output Power

Output/Driver Current

3.5 Amps continuous per phase *; 4.5 Amps peak per phase *.

* With Adequate Heat Sink.

Maximum Output Power

150 Watts continuous power with adequate heat dissipation.

Encoder Interface

Permissible Primary Encoder Resolutions

1000 Lines = 4000 counts/revolution

2000 Lines = 8000 counts/revolution

4000 Lines = 16000 counts/revolution

Primary Encoder Index or Z Channel

QCI recommends obtaining an encoder with an Index or Z channel for use with the SilverDust. The index allows the SilverDust to perform minor alignment corrections while in motion.

Inputs & Outputs

Digital Inputs

0 or +3.3 VDC. TTL level compatible. Active low (sinking).
Effective internal 200K ohm impedance to +3.3 V.

Digital Output Voltage

0 or +3.3 VDC.

Digital Output Current

Sinking or Sourcing

I/O 1, 4, 5, 7 outputs 4 mA MAX

I/O 2 and 3 outputs 2 mA MAX

I/O 6 outputs 8 mA MAX

I/O Over-Voltage Protection

Each I/O line is protected by series over-voltage limiting circuitry.

External (Secondary) Encoder Maximum Bandwidth

1 million counts per second

Analog Inputs

0 to +3.3 VDC input signal range.

10-bit ADC resolution (single).

11-bit ADC resolution (differential).

Analog inputs 1 to 4 are mapped to share digital I/O lines 4 to 7.

Each input has an effective internal 200K ohm impedance to +3.3 VDC.

Analog signals are read every servo cycle (120 μ sec.) and the converted analog data is processed through a 5 ms filter to reduce noise & transients.

Communications

Hardware Interfaces

RS-232, RS-232 multi-drop, or RS-485 multi-drop (software selectable).

Protocols

8-bit ASCII, 9-bit binary, DMX512, or Modbus®

Communication Line Protection

Each line is protected with MOV clamping devices.

Hardware Configuration Settings

Available Baud Rates: 2400, 4800, 9600, 19.2k, 28.8k, 57.6k, 115.2k or 230.4k (250k DMX only)

Data Bits: 8

Stop Bits: 1.5 or 2

Parity Bit: None

CAN interface

This option is only available with the -C option. (QCI-D2-MG-C)

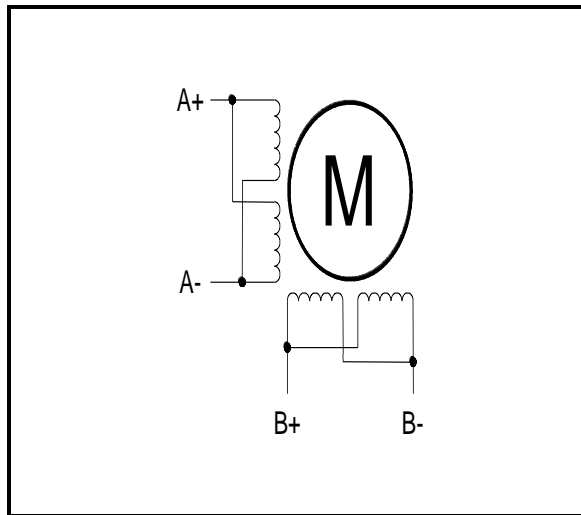
The CAN bus connection is NOT isolated but does include transceivers which have an extended +/- 80v fault protection range. The CANopen® communications protocol allows the unit to function as a master, slave, or peer on a CANopen network. See the SilverLode CANopen User Manual for details on the CANopen protocol. This protocol operates simultaneously and independently from the standard serial protocols.

Note that a 120 ohm 1/2w termination resistor is needed at each end of the CAN network (only two per system). This termination is not provided onboard the QCI-D2-MG-C controller and must be provided by the user. The QCI-D2-MG-C uses the common power/communications ground as the CAN ground. Do not connect conflicting grounds within the system. No external CAN power is required by the unit.

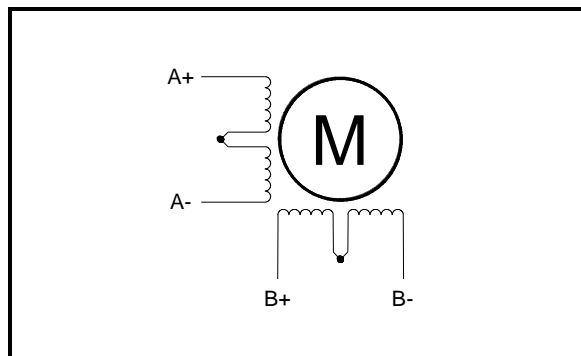
CANopen® and CiA® are registered community trademarks of CAN in Automation e.V.

Steppmotor Wiring Configuration

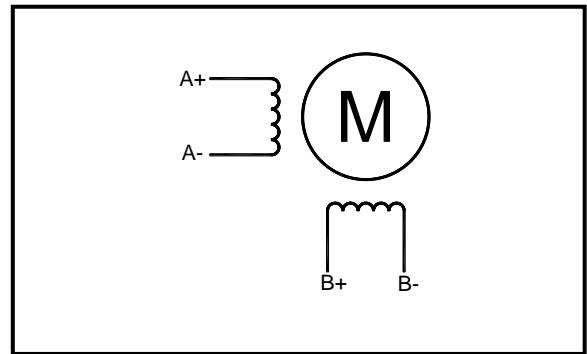
Ideally, the SilverDust will be interfaced with a four wire bipolar motor.



8 Wire Parallel Wiring Bipolar Configuration



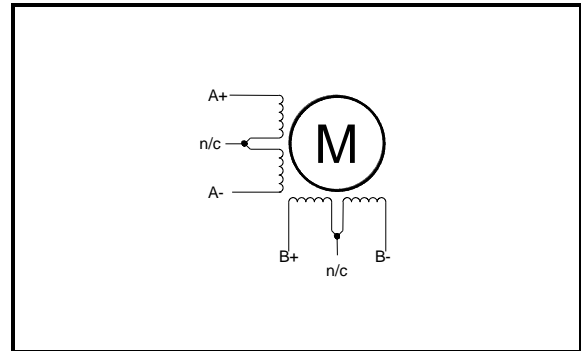
8 Wire Series Wiring Bipolar Configuration



Four Wire Bipolar Configuration

Some bipolar microstep motors are manufactured with 8 wires. Typically, an eight wire motor is wired in a parallel configuration for use with the SilverDust. However, a series wiring configuration is acceptable. Either configuration is perfectly legitimate to obtain the best motor characteristics and achieve optimum performance. If the driver is capable of driving the parallel configuration (current rating), then this mode usually provides superior performance.

Unipolar motors are compatible with the SilverDust, but due to the higher inductance of the series connection, performance may be reduced.



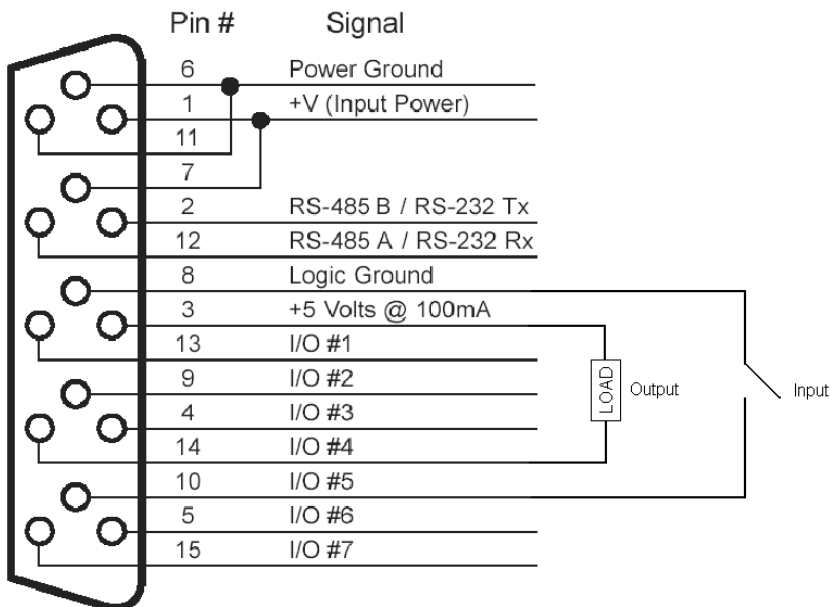
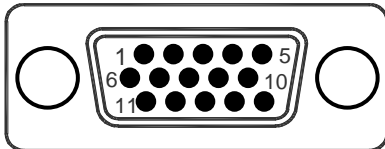
Unipolar Configuration

Connector Data

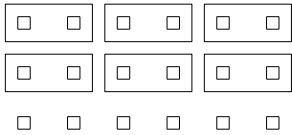
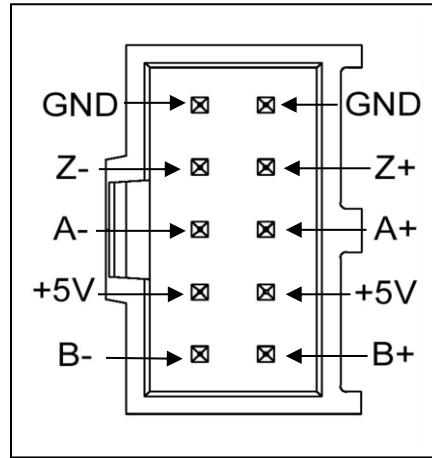
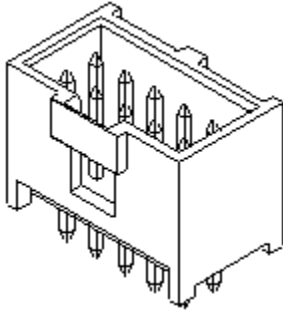
SilverLode Multi-Function Interface (SMI) Port (On Board)

The SMI port is a DB15HD (pin) connector containing input power, I/O and communications. Any QCI breakout with an SMI port can be connected to this port via an SMI cable (QCI-EC-SMI-*nn*). Alternately, the Basic Breakout (QCI-BO-B) attaches directly to the SMI port (no cable).

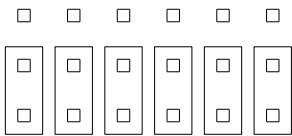
SMI Pin Layout
Front View on SilverDust



Encoder Connector (On Board)



Jumpering for Differential Encoder Signals



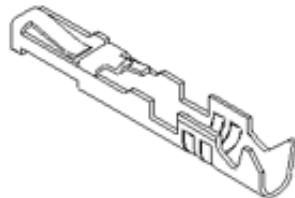
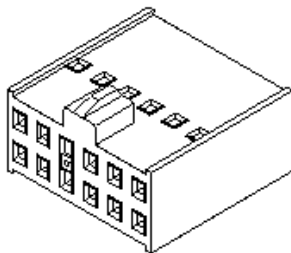
Jumpering for Single-Ended Encoder Signals

Either Differential or Single-Ended encoders may be used. The jumpers at the lower left-hand side of the controller select between these two modes. In Differential mode, an AC terminator of 120 ohms is connected between the positive and inverted signals.

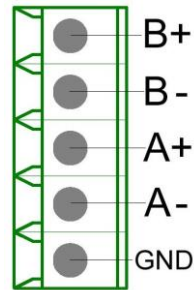
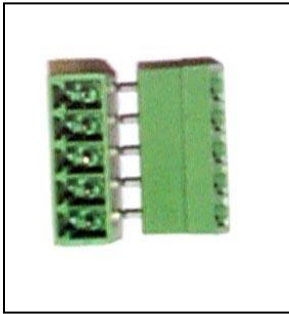
In Single-Ended Mode, only the positive signal is used while the negative signal input is grounded. The 485 receiver is biased to approximately 1.56v.

The board comes jumpered for Differential from the factory.

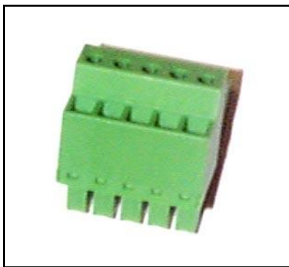
Encoder Mating Connector and Pins (Optional Kit – PN # QCI-CK-5AS)



Drivers Connection or Motor Winding Connection (On Board)



**Drivers Connection or Motor Winding Mating Connector
(Optional Kit – Part # QCI-CK-4AS)**



CAN Communications Connection -C option only

A three (3) pin header is provided on MG controllers ordered with the –C (CAN) option.

The CAN pinout is shown below.

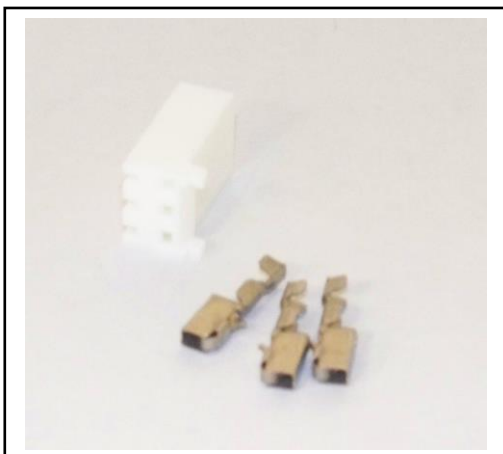
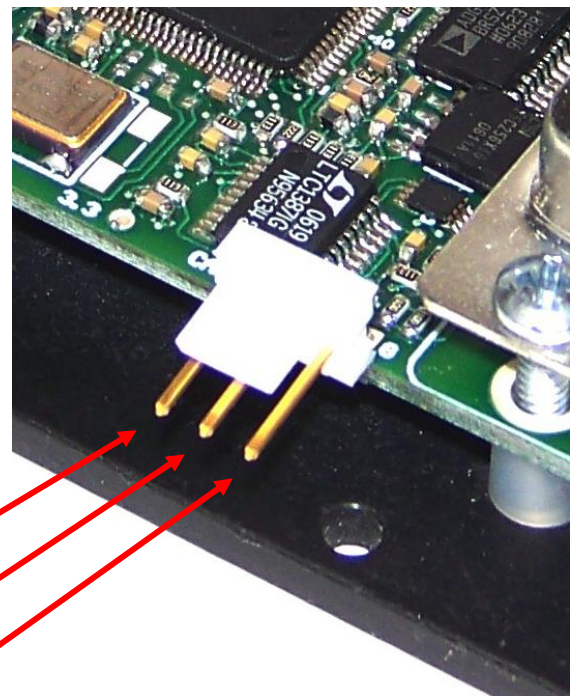
Mating connector is:

Tyco AMP 1375820-3 DigiKey A99614-ND

Mating contacts are:

Tyco AMP 1445336-3 Digikey 1445336-3-ND

See Tyco AMP data sheets for appropriate crimping tools.



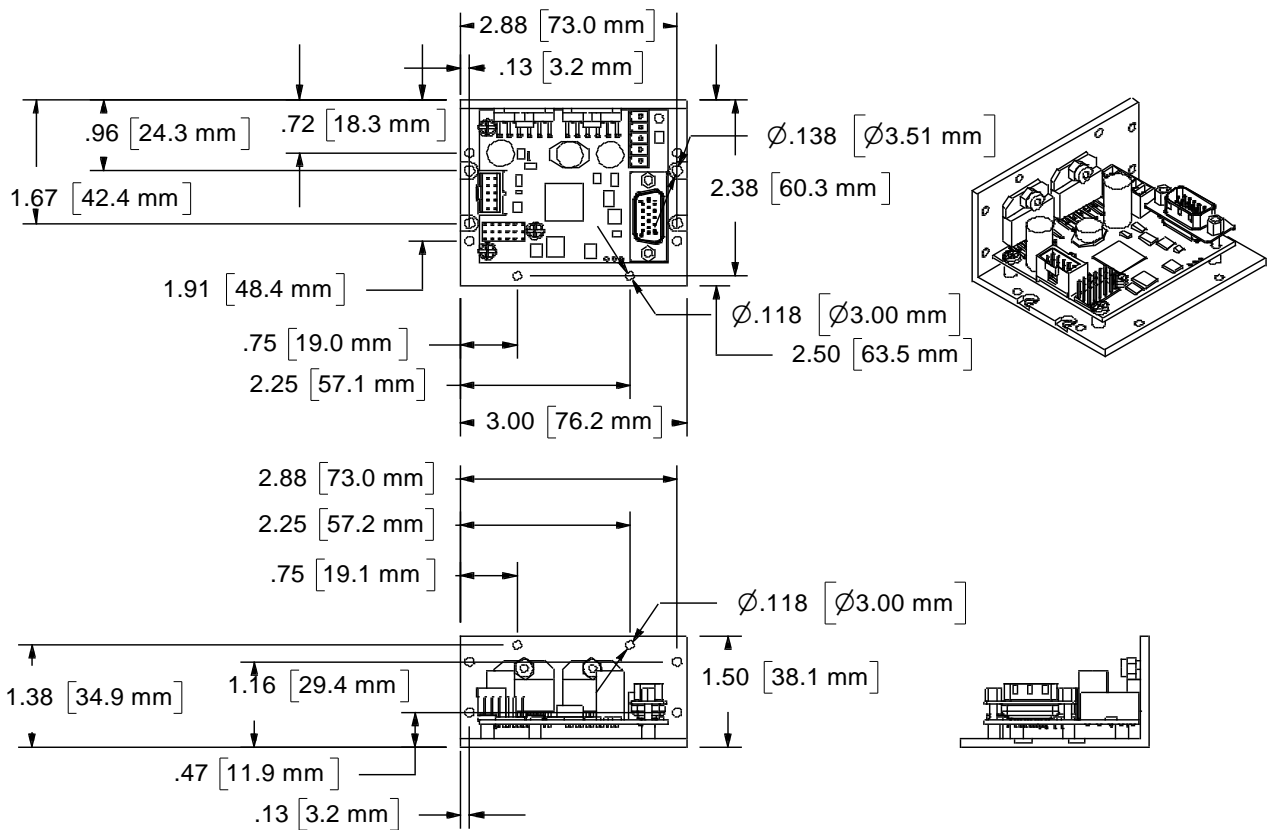
CAN_L

CAN_H

GND

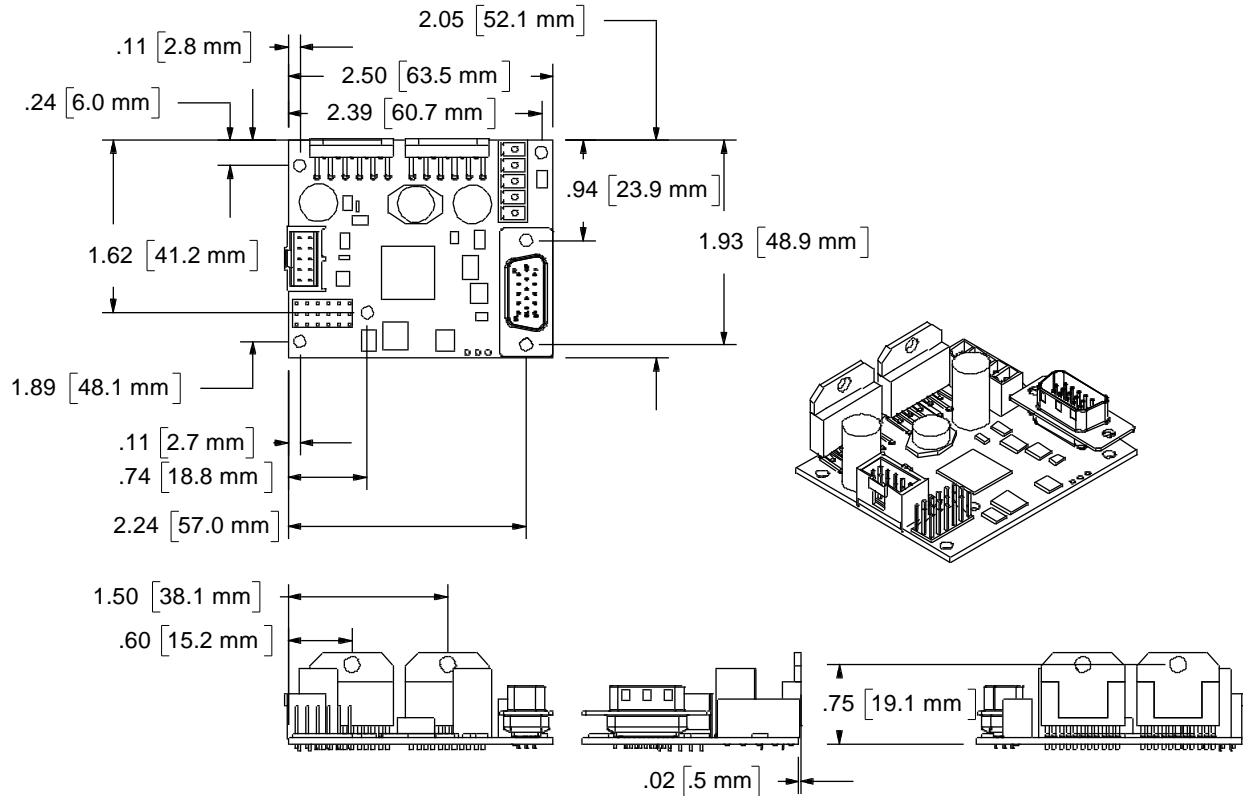
Mechanical Specifications

SilverDust MG With L-Bracket



Note: See our website for 2D drawings and 3D models.

SilverDust MG Board Only (- 01 Option)



Note: See our website for 2D drawings and 3D models.

Environmental Specifications

Operational Temperature

-10 C to +80 C

Storage Temperature

40 C to +85 C

Humidity

Continuous specification is 95% RH non-condensing.

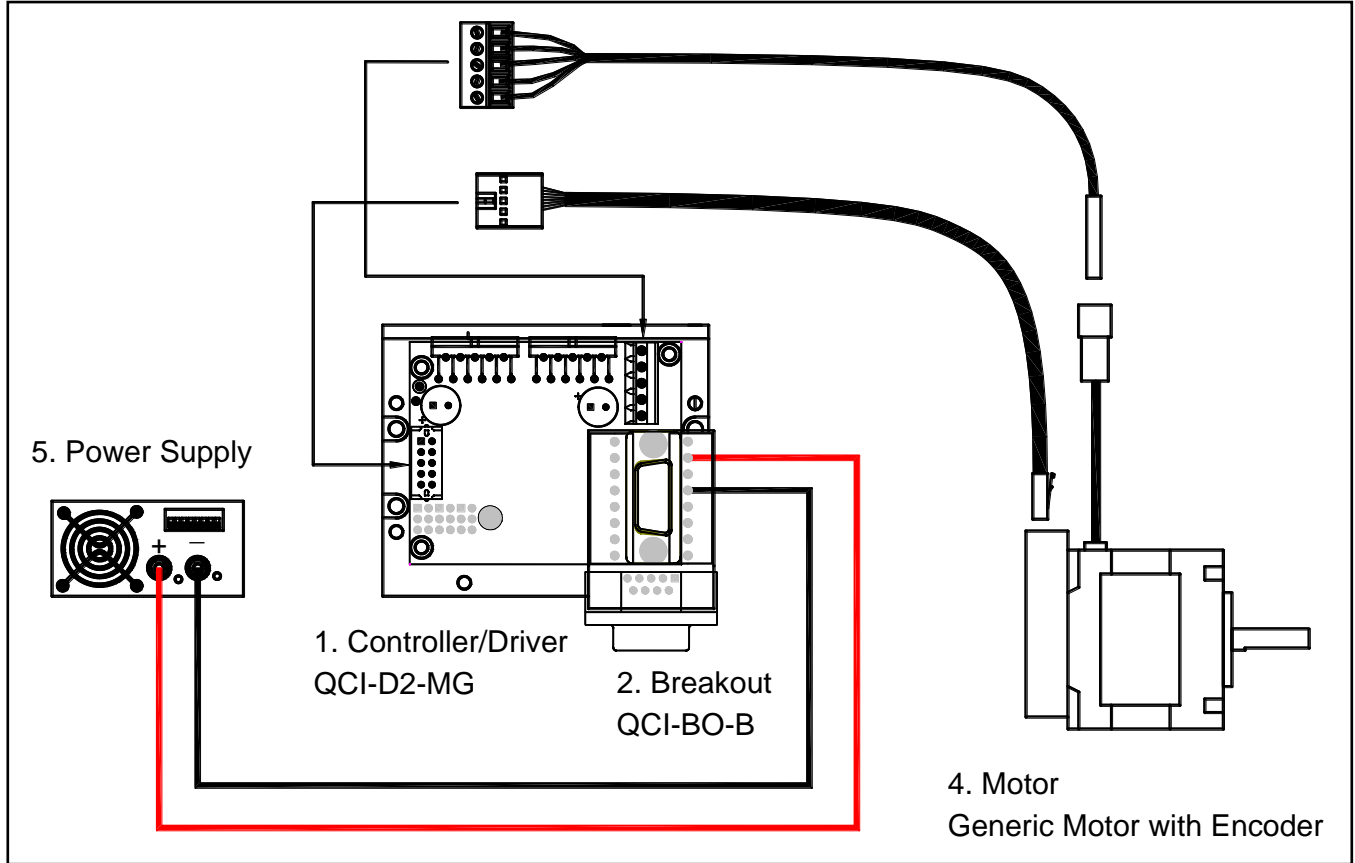
Shock

The limitation is approximately 50g/11ms.

IP Rating

IP20 with cables attached.

Recommended Components



1. Controller/Driver (QCI-D2-MG)

Standard SilverDust MG servo controller/driver. This is the L-bracketed version. All other options are application dependent. See part number section for more information on options.

2. Basic Breakout (QCI-BO-B or QCI-BO-B52)

QCI recommends purchasing a breakout to simplify wiring power, communications and I/O. QuickSilver offers several breakouts (see our website), but the simplest is our Basic Breakout (QCI-BO-B). To convert the 7 TTL I/O to 5 24V isolated inputs and 2 open collector outputs, select the QCI-BO-B52.

3. Cables

The cables are specific to the motor selected. If a QCI M-Grade motor is used, the cables are:

- 5 Pin Motor Cable (QCI-C-1BS-4AS-10)
- 10 Pin Encoder Cable (QCI-C-2BS-5AS-10)

4. Motor

The SilverDust D2 is capable of driving any a 17 or 23 I-Grade motor/encoder. See the following datasheets for more information:

QCI-DS007: NEMA 17 I-Grade Motor/Encoder

QCI-DS008: NEMA 23 I-Grade Motor/Encoder

5. Power Supply

Power supply selection is motor dependent, but the following will work with all the 17 and 23 frame motors.

S-210-48 (48V, 4.4A, 210 Watt)

Other Recommendations

SilverLode User Manual & Command Reference (QCI-SLM)

For beginning and brand-new users, please see chapter 1 User Manual for getting started instructions. The SilverLode user manual is in textbook format. It begins with the fundamentals of use and progresses into advanced topics that are application oriented. Any new user can follow the material in a natural progression of product usage. In addition, there are exercises throughout the text that provide users a hands-on approach toward understanding the topics better. The manual is thorough, but not exhaustive. Users that explore this material fully and complete the exercises should gain the ability to operate, program, and prototype any SilverLode servo system into working applications.

Both the user manual and command reference are available for download on our website. Quicksilver also sells hard copies of the SilverLode User Manual & Command Reference set under part number QCI-SLM.

Clamp Module (optional)

Some rapid acceleration and deceleration applications may require a clamp module. See technical document QCI-TD017 on our website for more details.

Software QuickControl

QuickControl® allows developers to quickly program and operate all SilverLode family of products using a standard PC running Windows (9x, Me, NT, 2K, or XP). Communication to the SilverLode controller/driver products is accomplished from the PC's serial port (i.e. COM1 or COM2). QuickControl also provides tools for uploading and downloading programs and user data. Data can be typed in manually or imported from text files. Documentation features include remarks, line labels, namable registers and I/Os.

Part Number

| SilverDust™ MG Controller/Drivers | | |
|---|---|---|
| DRIVER | CONTROLLER | OPTIONS |
| <p>QCI-D2 - 3.5 Amp</p> <ul style="list-style-type: none"> • For 23 Frame and Smaller • 3.5 Amps per Phase Continuous* • 4.5 Amp Peak • Input Power: 4A @ 12V-48V <p>* Depending on heat sink (25C ambient).</p> | <p>MG – SilverDust D2 MG</p> <ul style="list-style-type: none"> • 7 TTL Inputs or Outputs (use QCI-BO-B52 for 24V I/O) • 4 Analog Inputs (Joystick) • Analog Output Option (use QCI-BO-B1A) • RS-232 or RS-485 • ASCII, Binary, Modbus® • DB15HD (pin): SMI Port • Motor: Plugged terminal strip • Encoder: 10 Pin/Double Row • Mating Connectors Sold Separately | <p>Blank – Standard</p> <ul style="list-style-type: none"> • L-Bracket for heat sinking. • DIN compatible <p>01 –Board Only</p> <ul style="list-style-type: none"> • Requires user to properly heat sink. <p>D – DMX512</p> <p>C – CANopen®</p> <p>C1 – Board Only w/ CANopen</p> |
| <p>Example: SilverDust MG board only with DMX512 and CANopen QCI-D2-MG-CD1</p> | | |

Example Part Numbers:

- QCI-D2-MG
- QCI-D2-MG-01
- QCI-D2-MG-D
- QCI-D2-MG-D1
- QCI-D2-MG-C1
- QCI-D2-MG-CD1

Contact Information

QuickSilver Controls, Inc.
 990 N Amelia Ave
 San Dimas, CA 91773
 909-599-6291 or (888) 660-3801
 909-599-6289 FAX
www.QuickSilverControls.com
<http://www.quicksilvercontrols.com/>